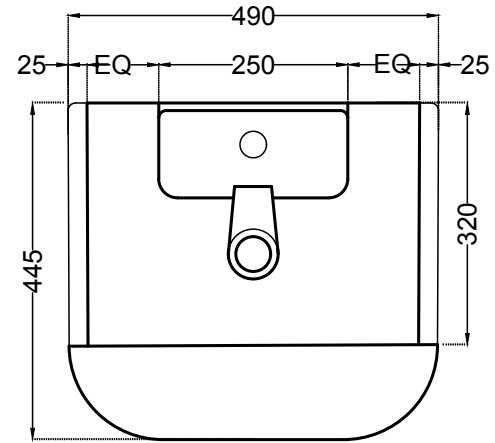
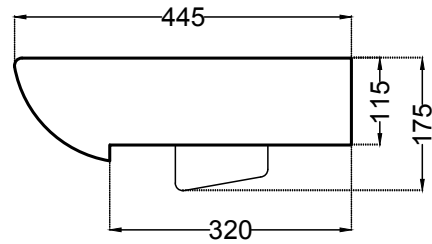


TOP VIEW



BOTTOM VIEW



SIDE VIEW

ALL DIMENSIONS ARE IN MM.  
(TOLERANCE ± 5 MM)