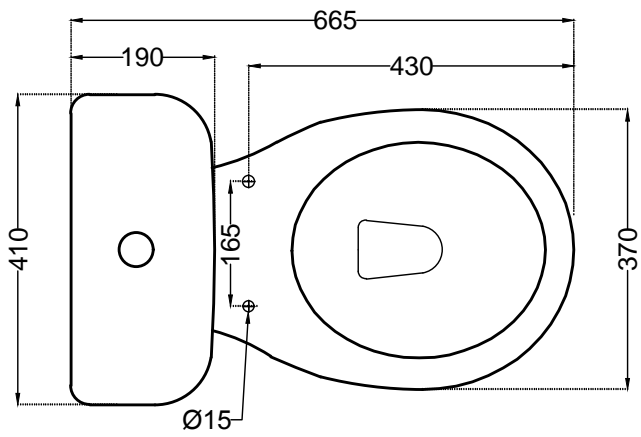
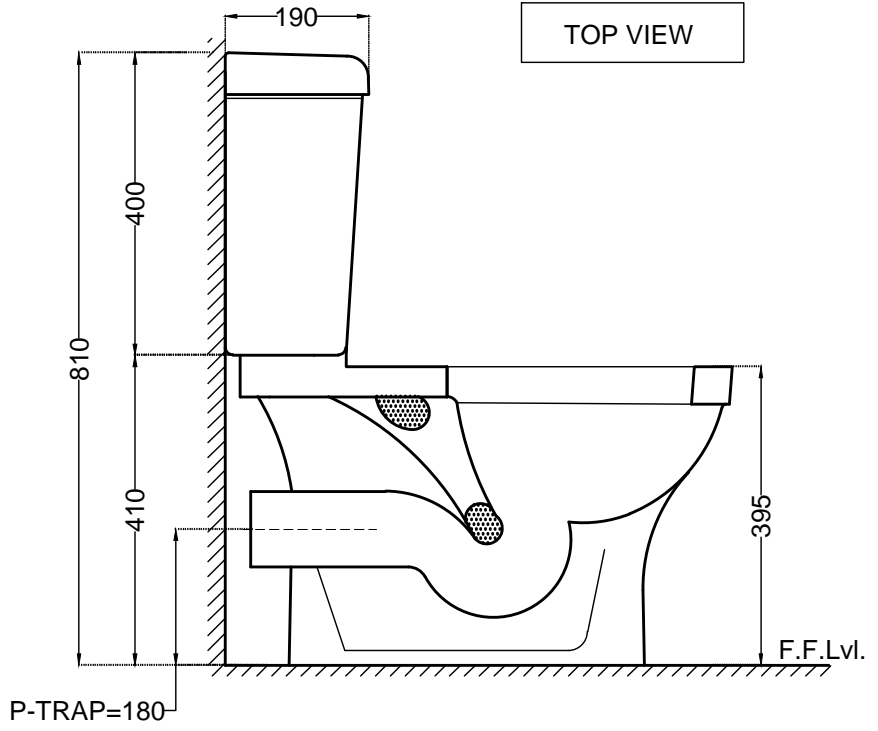


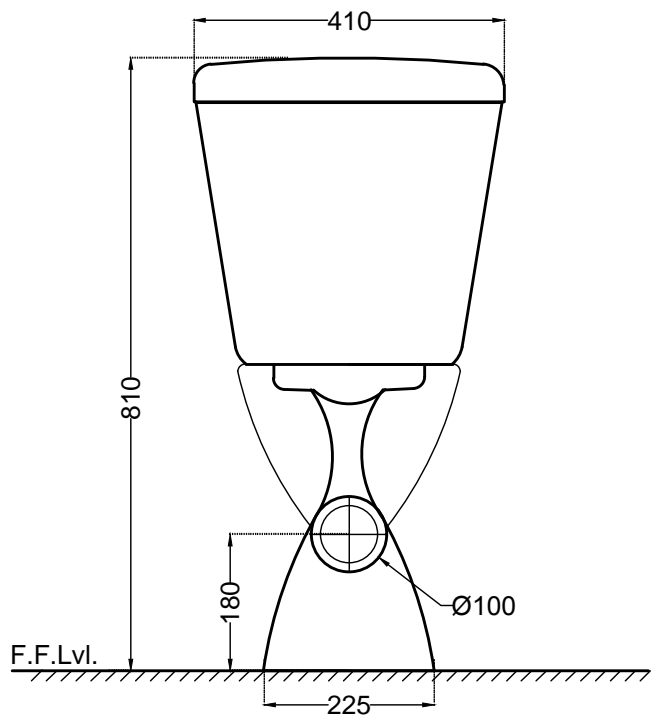
CNS-WHT-751PS,PN+CNS-WHT-201



TOP VIEW



SIDE VIEW



BACK VIEW

ALL DIMENSIONS ARE IN MM.  
(TOLERANCE ± 5 MM)