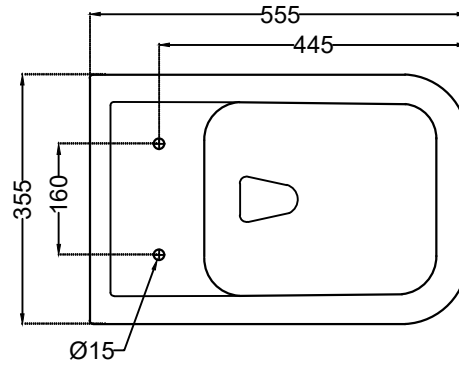
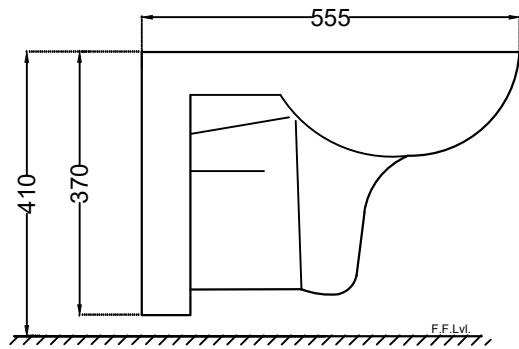


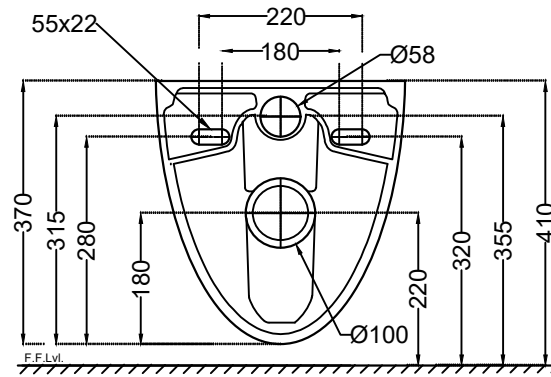
FLS-WHT-5953UFSM



TOP VIEW



BOTTOM VIEW



BACK VIEW

ALL DIMENSIONS ARE IN MM.
(TOLERANCE ± 5 MM)