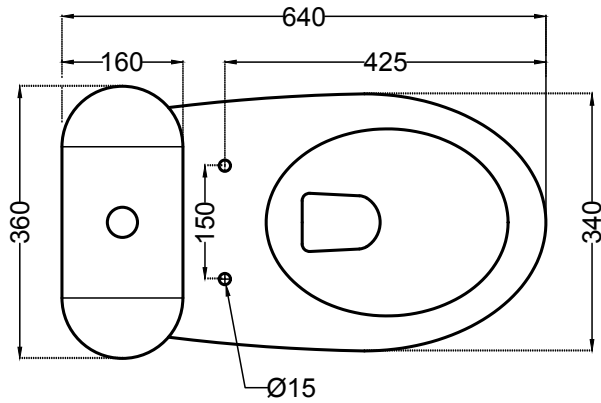
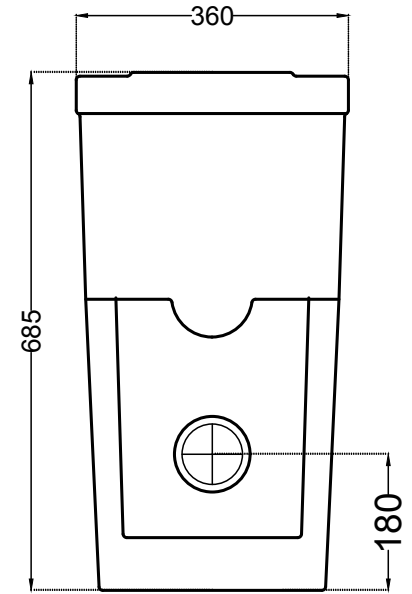


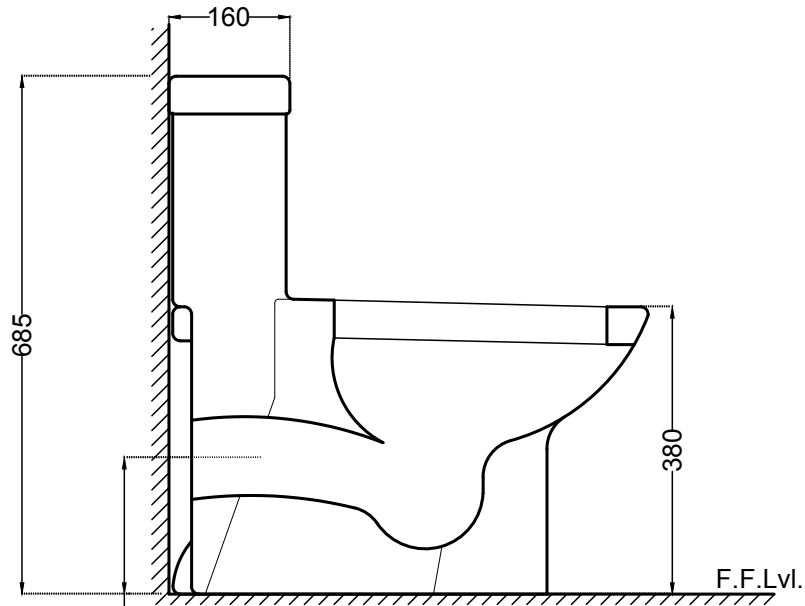
SLS-WHT-6851P



TOP VIEW



BACK VIEW



SIDE VIEW

P-TRAP = 180

ALL DIMENSIONS ARE IN MM.
(TOLERANCE ± 5 MM)