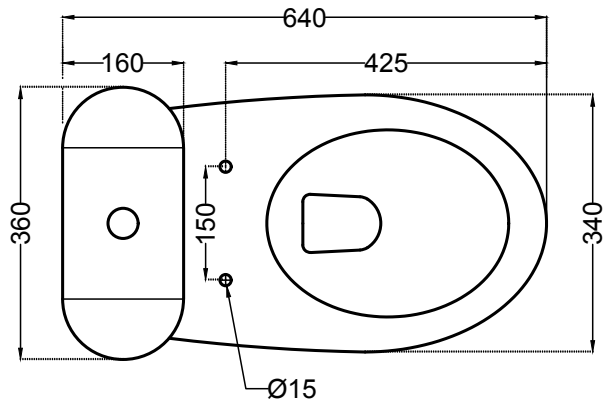
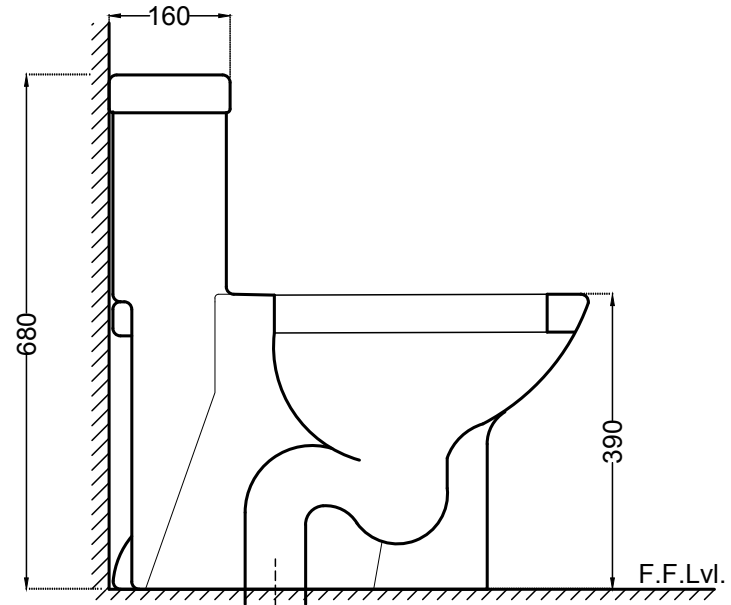


SLS-WHT-6853S



SIDE VIEW



TOP VIEW

LL DIMENSIONS ARE IN MM.  
(TOLERANCE ± 5 MM)