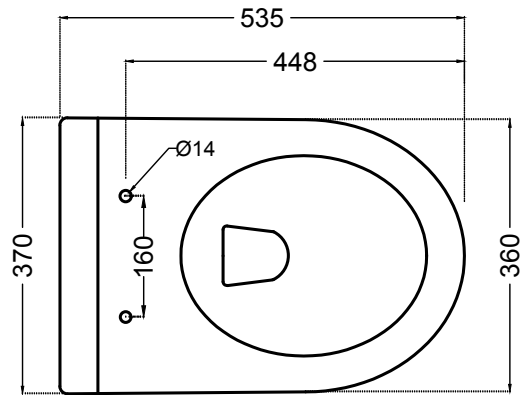
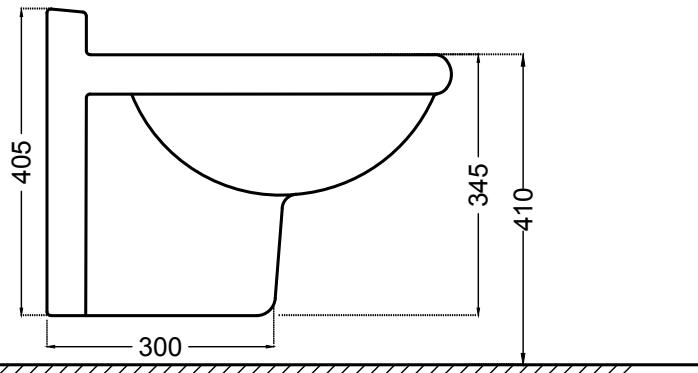


CNS-WHT-959NS

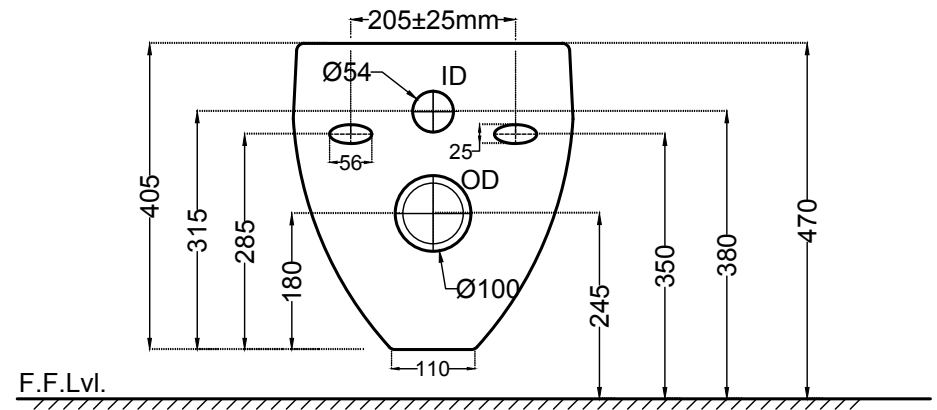
CNS-WHT-959NN



TOP VIEW



SIDE VIEW



BACK VIEW

ALL DIMENSIONS ARE IN MM.  
(TOLERANCE ± 5 MM)