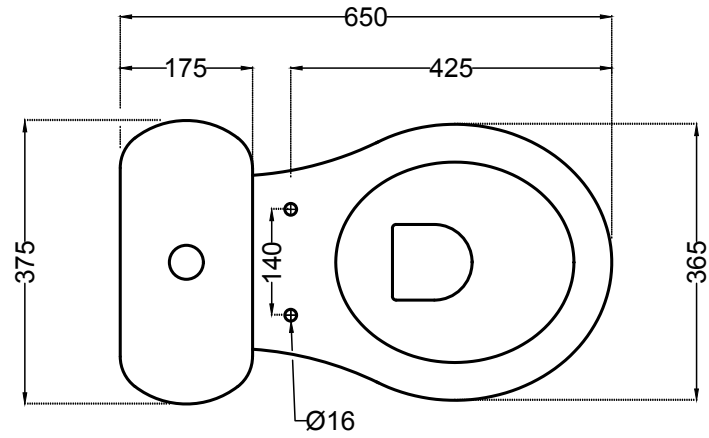
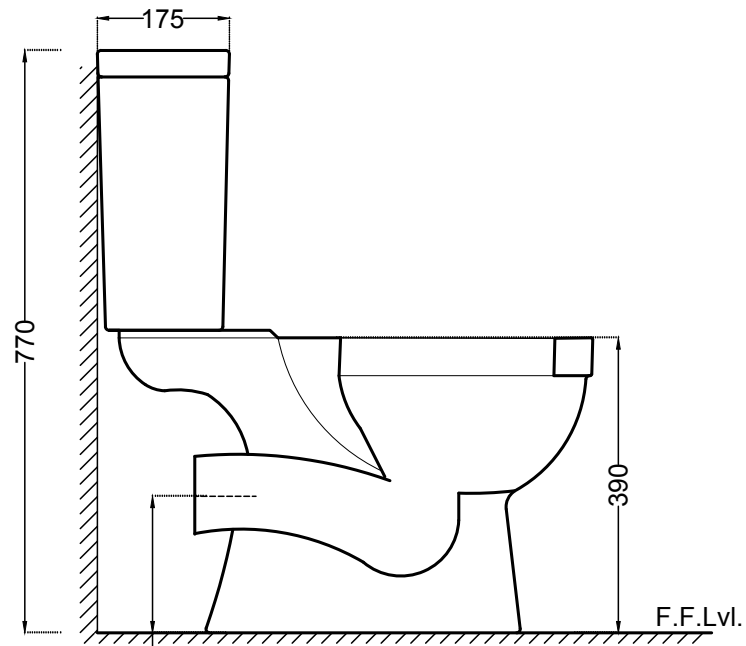


SLS-WHT-6751P+SLS-WHT-6201

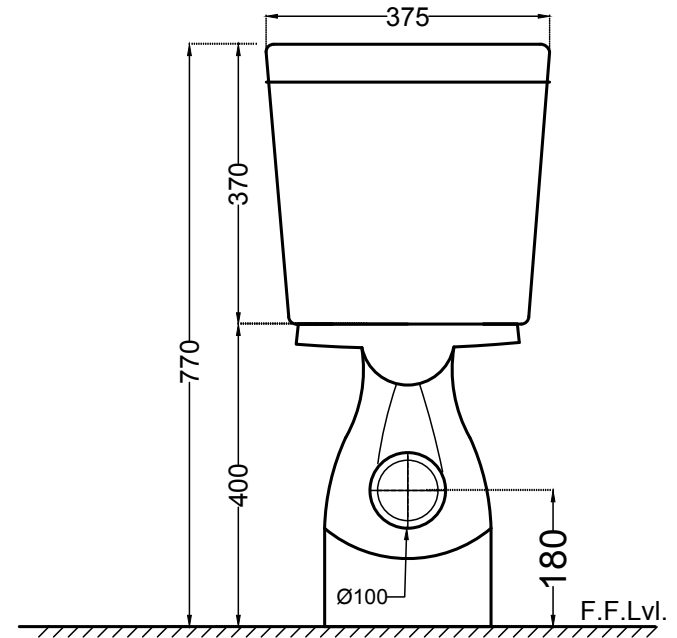


TOP VIEW



P-TRAP = 180

SIDE VIEW



BACK VIEW

ALL DIMENSIONS ARE IN MM.  
(TOLERANCE ± 5 MM)