



SLS-WHT-6751S240+ SLS-WHT-6201

SPECIFICATION DATA SHEET

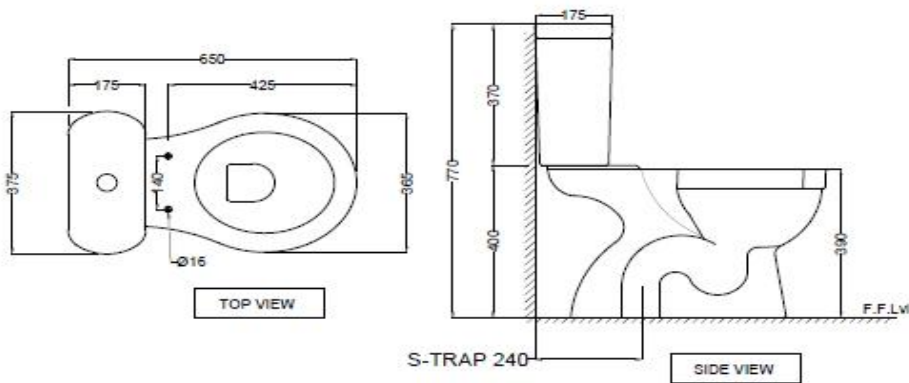
PRODUCT DETAILS

Manufacturer :	Jaquar	Type:	Bowl for coupled closet WC (P trap)
Range	Solo	Outlet	
Colour:	White	Material:	Ceramic - Vitreous China
Technical Details:	External diameter of outlet ϕ 100 +5- 2 mm	BOM doc.NO.	JSW/01/2018/0121 JSW/01/2018/0119
Horizontal distance between the wall line and the centre line of the waste outlet hole \leq 240 mm			

ARTICLE NAME: COUPLE CLOSET BOWL-WC



TECHNICAL DIMENSIONS



PRODUCT DIMENSIONS				USP
Length (mm)	Width (mm)	Height (mm)	Net weight (kg)	Box Rim with Dual Flushing, Anti germ glaze
375	650	770	29.50	
ACCESSORIES PROVIDED				
PP soft Close seat cover			FLS-WHT-6105PP	
Floor fixing screw			ZPS-SNS-FB01	
Wax Seal			ZPS-WHT-1401	

CARE AND CLEANING GUIDELINES

- ★ Vitreous china sanitary ware products are fragile in nature and need to be handled with care (to avoid personal injury) at all times during its storage, handling, installation and use thereafter.
- ★ The product is heavy and it is recommended that two persons hold it while it is being fixed.
- ★ Carefully inspect the new product for damage before installation.
- ★ Risk of product damage. Over tightening may cause breakage or chipping of vitreous china.
- ★ Risk of external leakage. Do not lift or rock the bowl after placement.
- ★ Always test your cleaning solution on an inconspicuous area on the product before applying it to the entire surface.
- ★ Do not allow cleaners to sit or soak on the product.
- ★ Use a soft, dampened sponge or cloth to clean. Never use abrasive material like a bristle brush or scouring pad.
- ★ Wipe surfaces clean and rinse completely with water immediately after applying cleaners.
- ★ Clean Chrome, stainless steel surfaces once a week. Do not use cleaners containing chloride on chrome, stainless steel. If used, rinse the surface immediately to prevent corrosion.
- ★ Wherever chrome plating is used on the products, use only warm water to clean and then dry with a soft cloth.

CERTIFICATION

Compliance : IS 2556.2:2004, IS 2556.1:1994 , EN 997 :2012+A1, BS EN 14124:2004

All technical dimensions are in accordance to British standards, Bureau of Indian Standards

PACKAGING DETAIL				LOADING PALLET DETAIL			
Length (mm)	Width (mm)	Height (mm)	Gross Weight(kg)	Length (mm)	Width (mm)	Height (mm)	no of pieces on pallet
635	425	420	21.30	1140	1140	2285	16
380	180	395	12.00	1140	1140	2285	60



Prepared By Designer Date	Controlled By Quality control	Verified By Product Manager	Approved By Sanitaryware Head
Revision/Version	1	Plotter Updated on	Month Year 2018